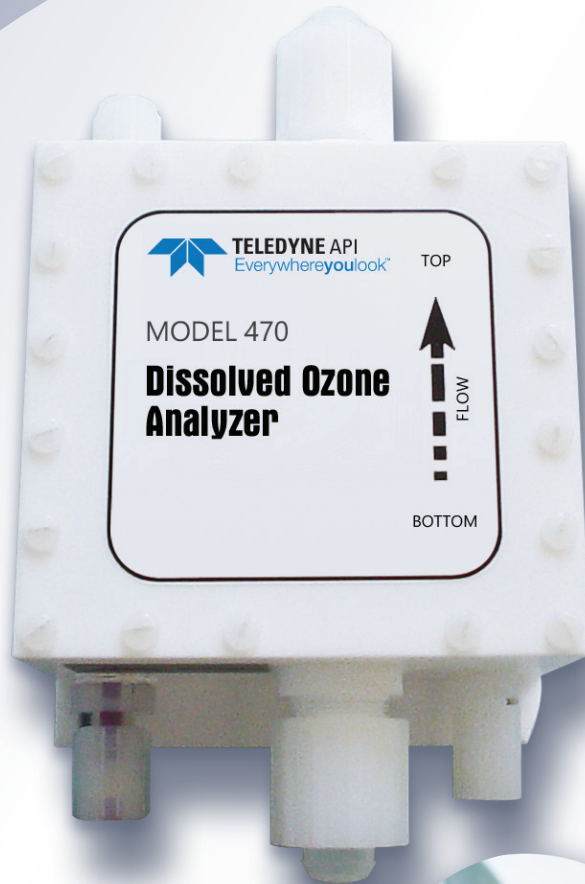




MODEL 470

# Dissolved Ozone Analyzer

- Ideal for Wet Bench systems  
and many other wet processes -



## Features

- In-situ monitoring
- In-line, full-flow capability
- Straight-through flow path
- No moving parts
- No consumables
- Ranges up to 150 mg/L
- Remote zero calibration
- High accuracy UV Absorption method
- Dual optical-path sample sensing technique
- No regular maintenance required
- Semiconductor-grade wetted materials
- Compact Teflon enclosure
- Teflon7-jacketed interconnection cable

The Model 470 is a state-of-the-art dissolved ozone sensor designed for semiconductor wet bench tools and many other industrial processes. It provides continuous measurement of dissolved ozone in deionized water or sulfuric baths with concentrations above 150 mg/L. The Model 470 is "clean-ready" for high purity semiconductor processes, and is designed to be simply spliced in-line in the recirculation loop of any wet bench tool with flow rates up to 150 SLPM.

The Model 470 Sensor incorporates an innovative dual optical-path sample sensing technology to provide unparalleled performance and virtually eliminate the need for a reference liquid measurement.

A typical installation consists simply of the 470 sensor and an interconnecting Teflon 7 jacketed cable. The 470 sensor includes the ability to remotely report the concentration that is being measured via analog or digital signals to the wet bench console.



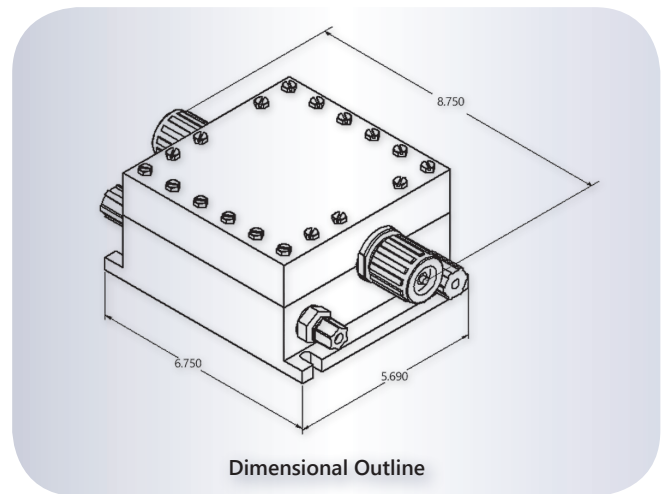
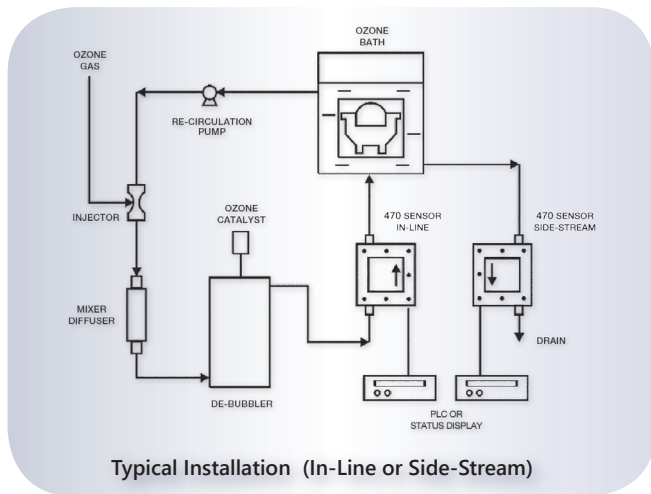
## Applications

- Dissolved ozone in liquid phase
- Semiconductor Wet Bench systems
- Ultrapure water systems
- Pharmaceutical industry
- Water treatment applications
- Other industrial processes

## Specifications

• Measuring Principle	UV Absorption, dual optical-path sample sensing technique (patented)
• UV Light Source	Low pressure mercury vapor lamp
• Units of Measure	ppm <sub>w</sub> , mg/L
• Range	Up to 150 mg/L (150 ppm <sub>w</sub> )
• Precision	0.5 mg/L or 1% of reading (whichever is greater)
• Water Flow	Up to 150 SLPM
• Sample Ports	1", 3/4", 3/8" Flaretek® fittings
• MAX Pressure	55 PSI
• Wetted Materials	Teflon®, sapphire, compatible with semiconductor processes

• Enclosure	PTFE Teflon®
• Dimensions	5.69" W x 6.8" H x 3.2" D - mounted vertically (144 x 171 x 82 mm)
• Maintenance	UV lamp replacement every 24 months No other scheduled maintenance
• Cable	Teflon®-jacketed
• Power	+15 VDC
• Compliance	CE pending
• Analog Output	4 to 20 mA or 0 to 5 VDC
• Digital I/O	RS-232 or RS485
• Remote Zero	Remote zero calibration via DB15



— OZONE INSTRUMENTATION FOR EVERY APPLICATION —					
Model	Generator Output	Off Gas Detection	Safety / Leak Detection	Dissolved Ozone	Spot Checking
465L		•	•		
465M		•	•		
465H	•				
454	•	•			
452	•				
430			•		•
W1 + 465L				•	
470				•	

Specifications subject to change without notice. All specifications are based on constant conditions. Printed documents are uncontrolled. SAL000103A (DCN 7917) 06.01.18