

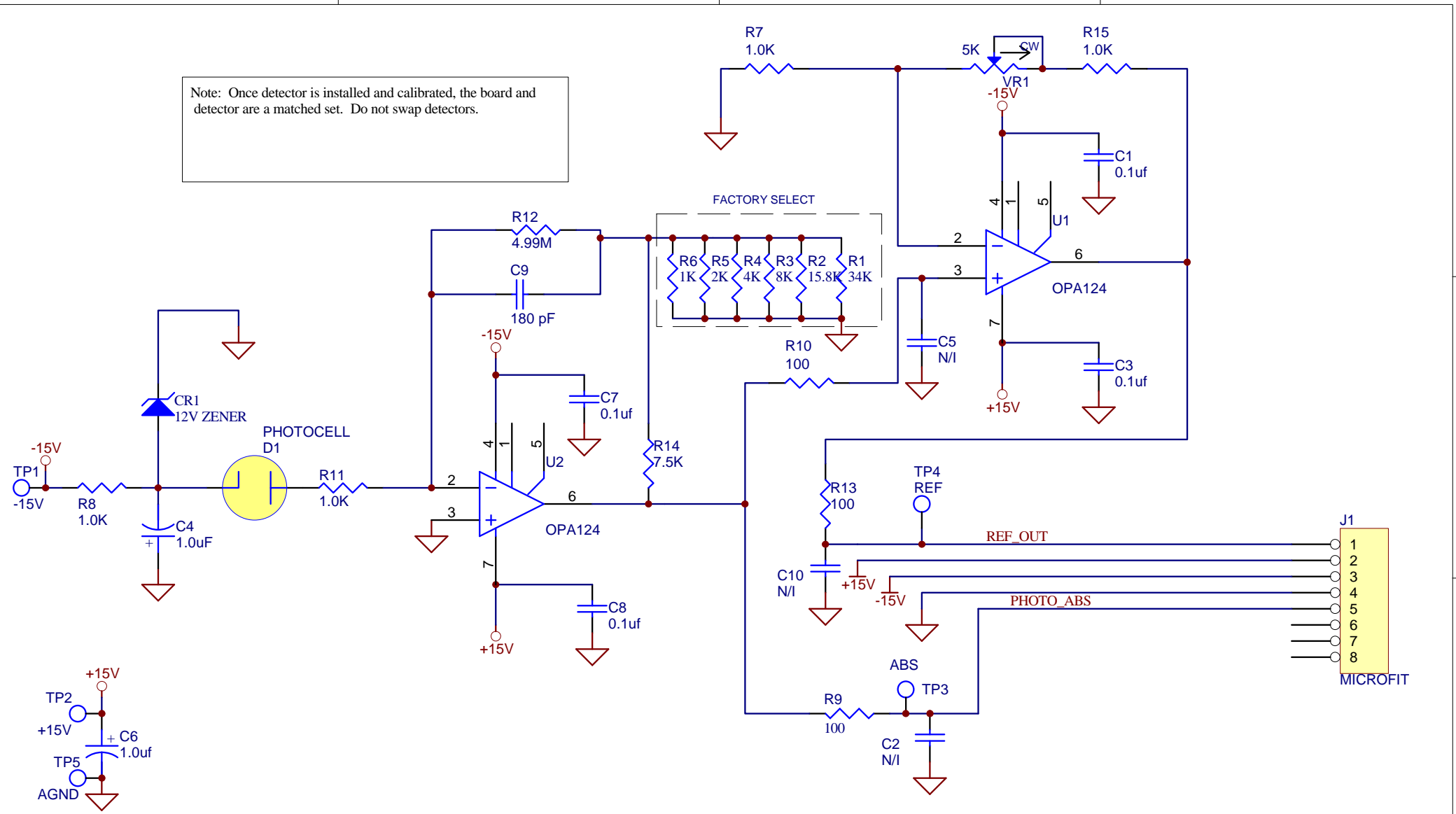
Appendix D – Schematic List

Table D-1: List of Included Electronic Schematics

DOCUMENT #	DOCUMENT TITLE
0506402	M100EU UV Ref PCA
05435	M100EU Internal PMT Preamp PCA
05466	M100EU Sync/Demod PCA
0591602	M100EU Bursting UV Lamp Driver

Other schematics can be found in the M100E Operators Manual (04145).

Note: Once detector is installed and calibrated, the board and detector are a matched set. Do not swap detectors.

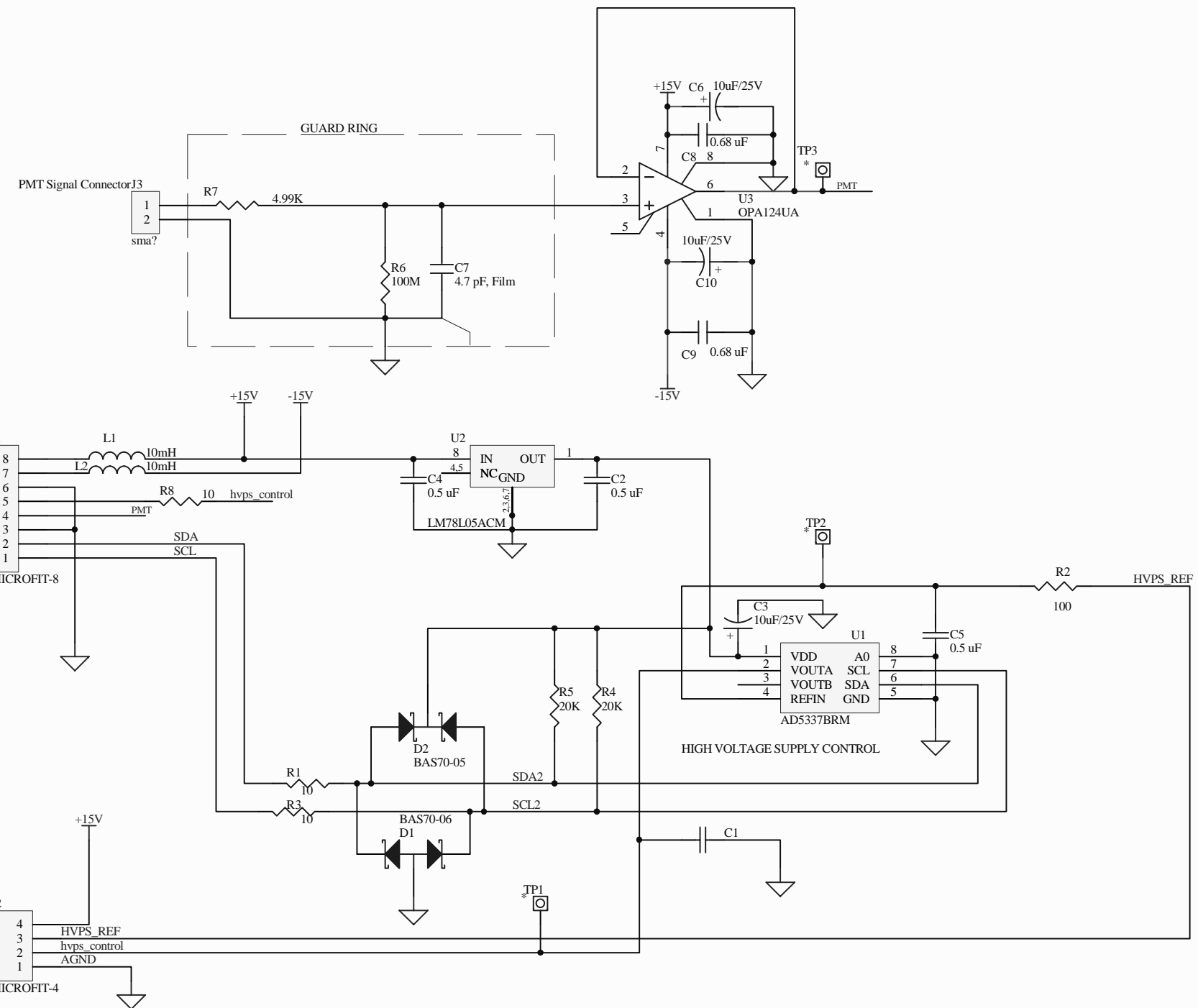


PRINTED DOCUMENTS ARE UNCONTROLLED

Rev A:	Initial Release	CAC	2/7/07
--------	-----------------	-----	--------

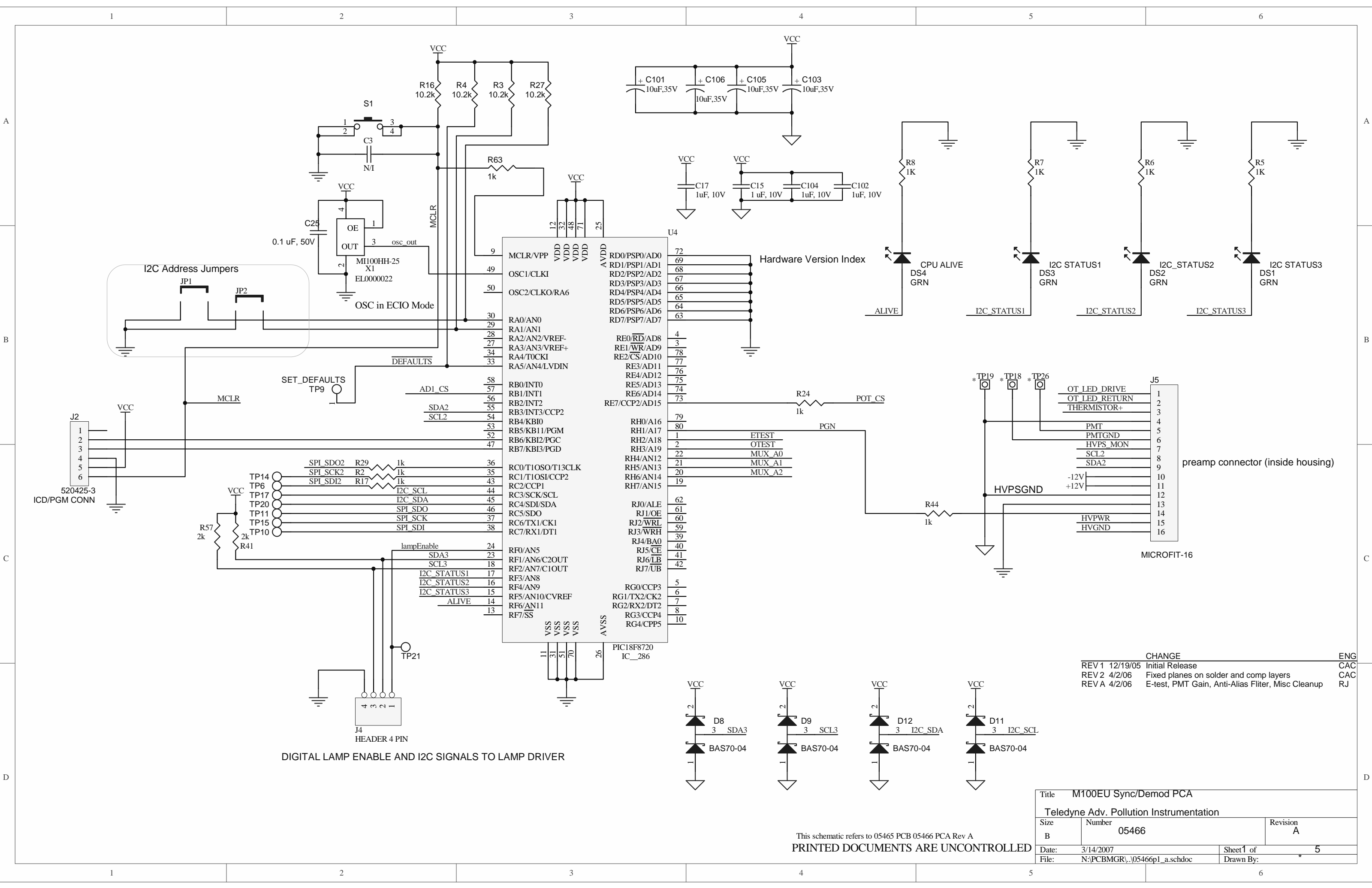
The information herein is the property of API and is submitted in strictest confidence for reference only. Unauthorized use by anyone for any other purposes is prohibited. This document or any information contained in it may not be duplicated without proper authorization.

		M100EU UV REF PCA, DUAL OUT		
				USA
APPROVALS	DATE	SIZE	DRAWING NO.	REVISION
DRAWN		A	050640200	A
CHECKED		LAST MOD.		SHEET
APPROVED		14-Mar-2007		1 of 1



PRINTED DOCUMENTS ARE UNCONTROLLED

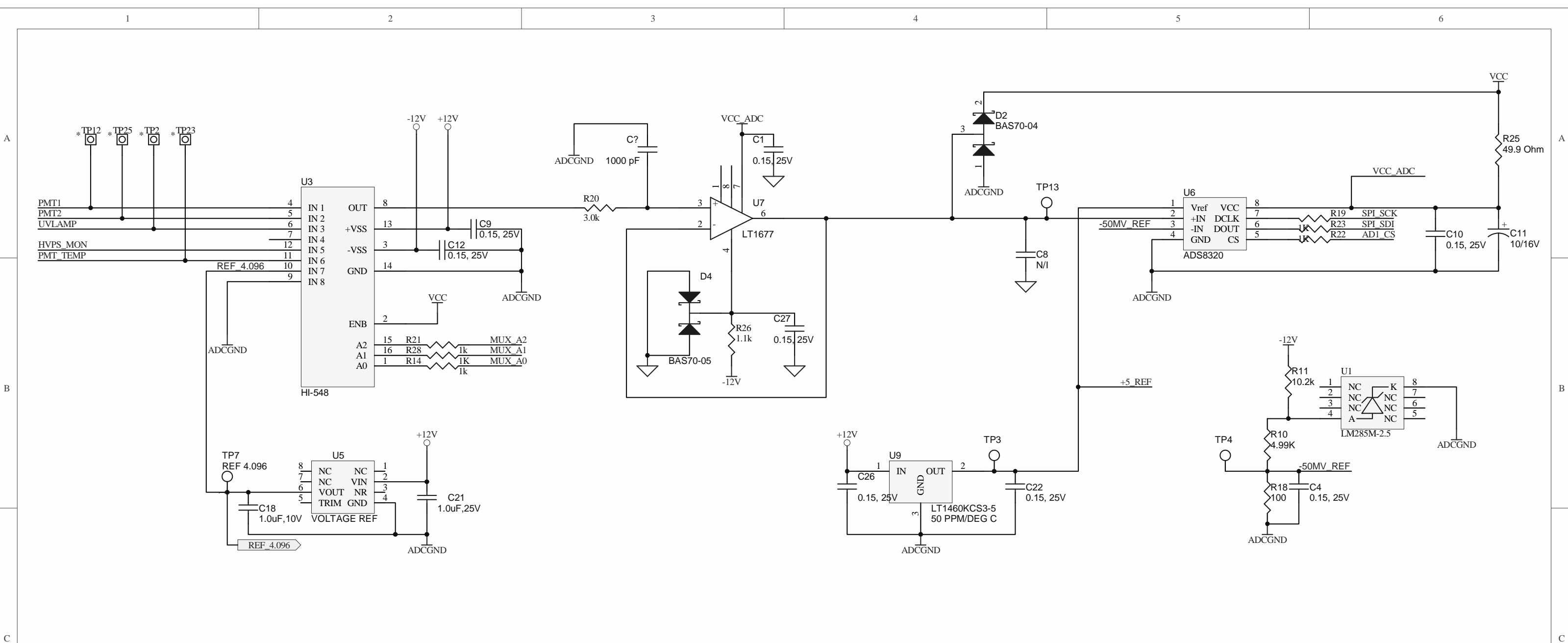
Title			
Schematic, M100EU Internal PMT Preamp			
Size	Number	Revision	
B	05435_b.sch	B	
Date:	3/14/2007	Sheet 2 of	3
File:	N:\PCBMGR\05433cc\source\05435_b.sch		Drawn By: CAC



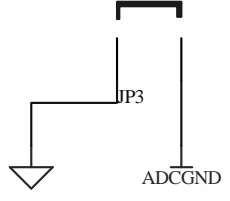
REV	DATE	CHANGE	ENG
REV 1	12/19/05	Initial Release	CAC
REV 2	4/2/06	Fixed planes on solder and comp layers	CAC
REV A	4/2/06	E-test, PMT Gain, Anti-Alias Filter, Misc Cleanup	RJ

Title M100EU Sync/Demod PCA		
Teledyne Adv. Pollution Instrumentation		
Size B	Number 05466	Revision A
Date: 3/14/2007	Sheet 1 of 5	Drawn By: *
File: N:\PCBMGR\...\05466p1_a.schdoc		

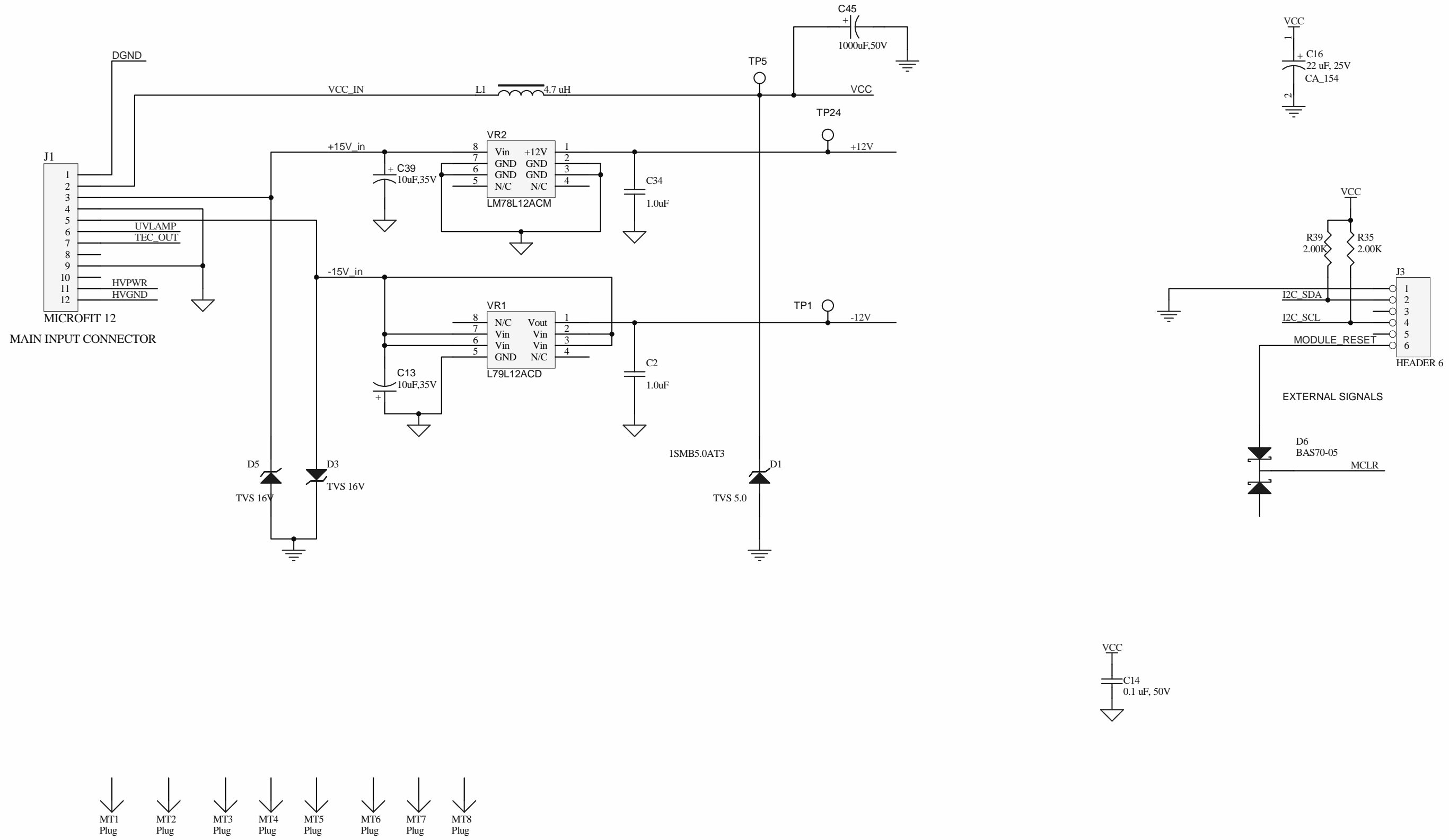
This schematic refers to 05465 PCB 05466 PCA Rev A
PRINTED DOCUMENTS ARE UNCONTROLLED



NOTE: GROUNDS TIED TOGETHER CLOSE TO U4, PIN 4



Title M100EU Sync/Demod PCA		
Teledyne - API		
Size B	Number 05466	Revision A
Date: 3/14/2007	Sheet 2 of 5	Drawn By: *
File: N:\PCBMGR\...05466p2_a.schdoc		



- ↓ MT1 Plug
- ↓ MT2 Plug
- ↓ MT3 Plug
- ↓ MT4 Plug
- ↓ MT5 Plug
- ↓ MT6 Plug
- ↓ MT7 Plug
- ↓ MT8 Plug

Title M100EU Sync/Demod PCA		
Teledyne - API		
Size B	Number 05466	Revision A
Date: 3/14/2007	Sheet 3 of 5	Drawn By: *
File: N:\PCBMGR\...\05466p3_a.schdoc		

A

B

C

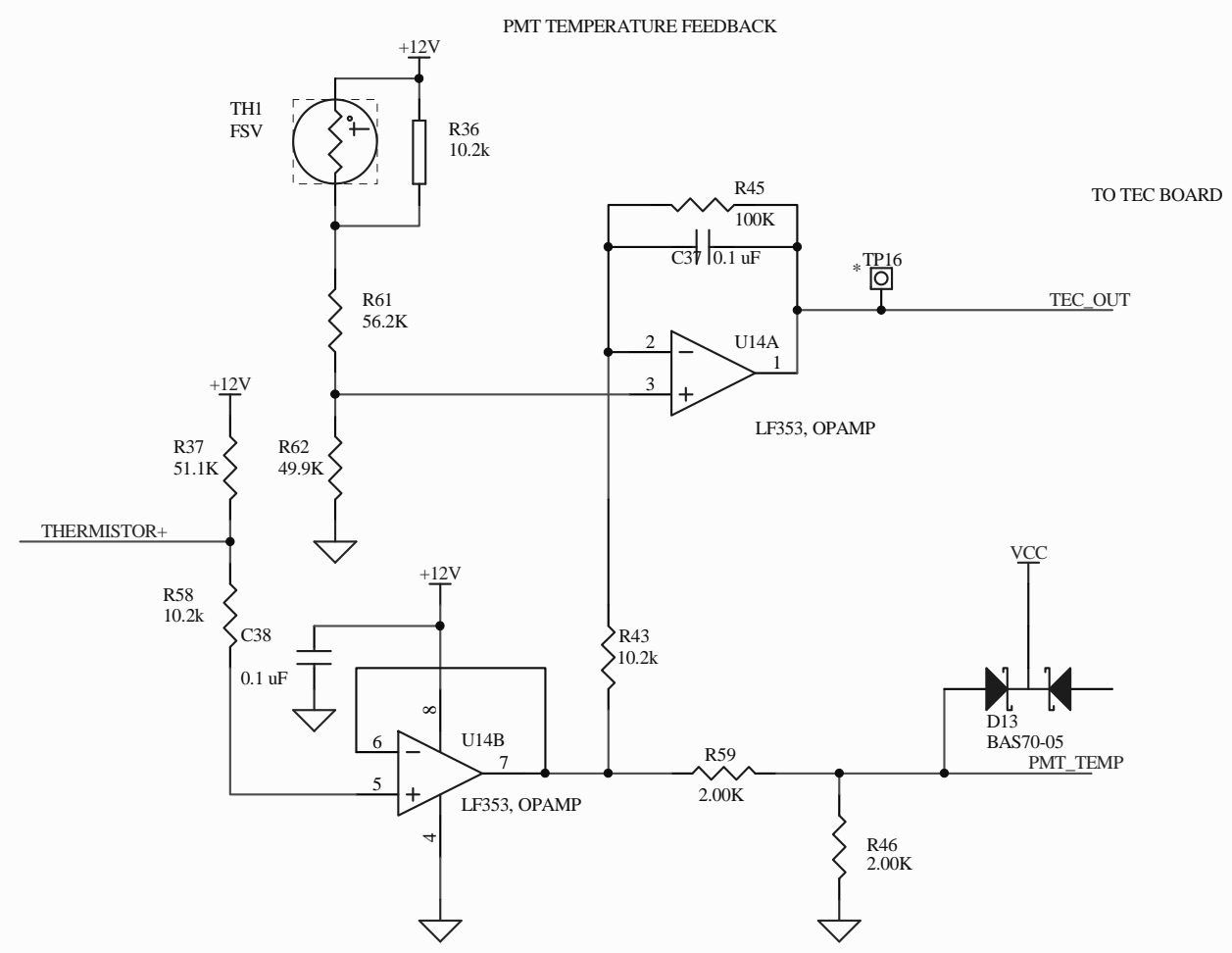
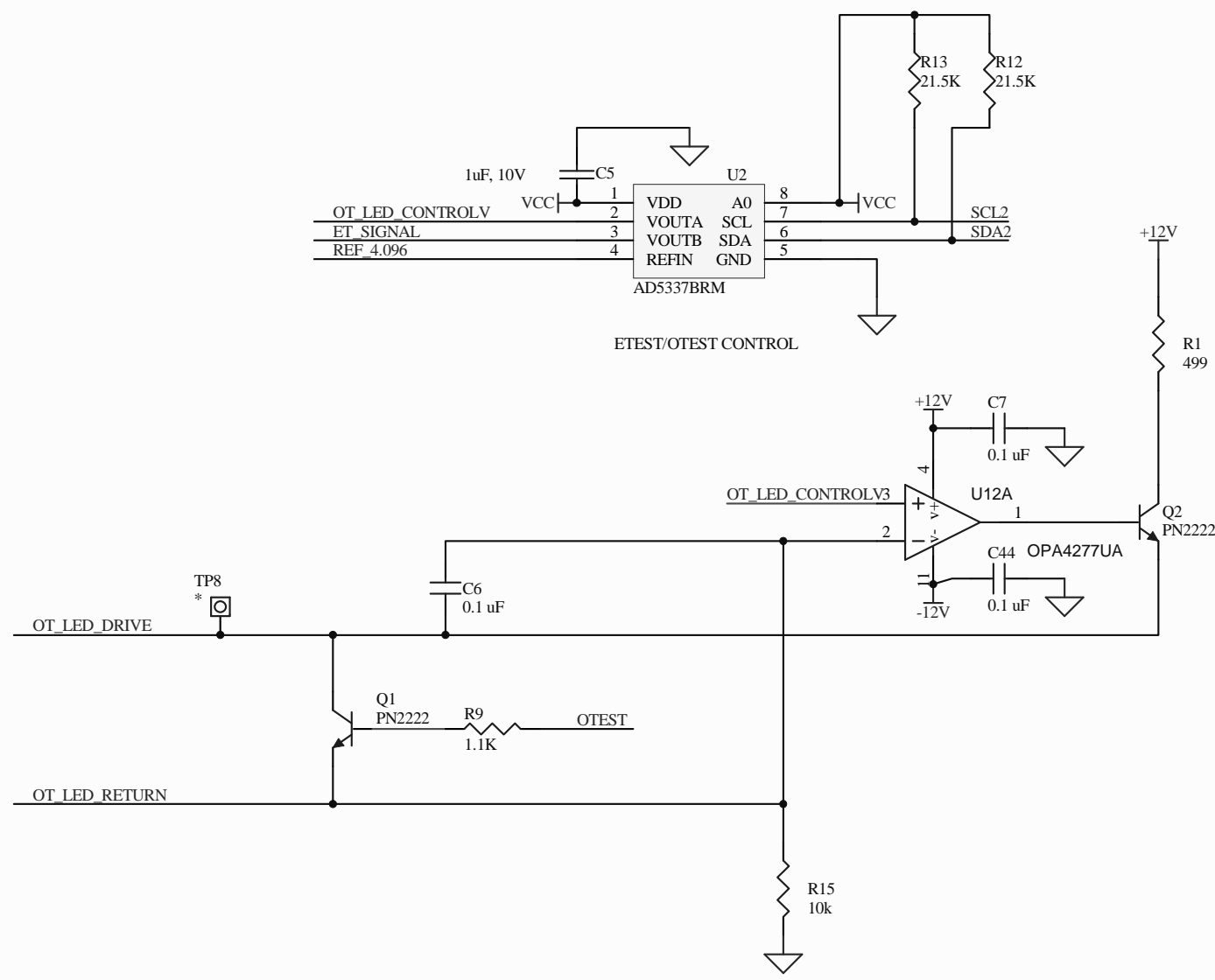
D

A

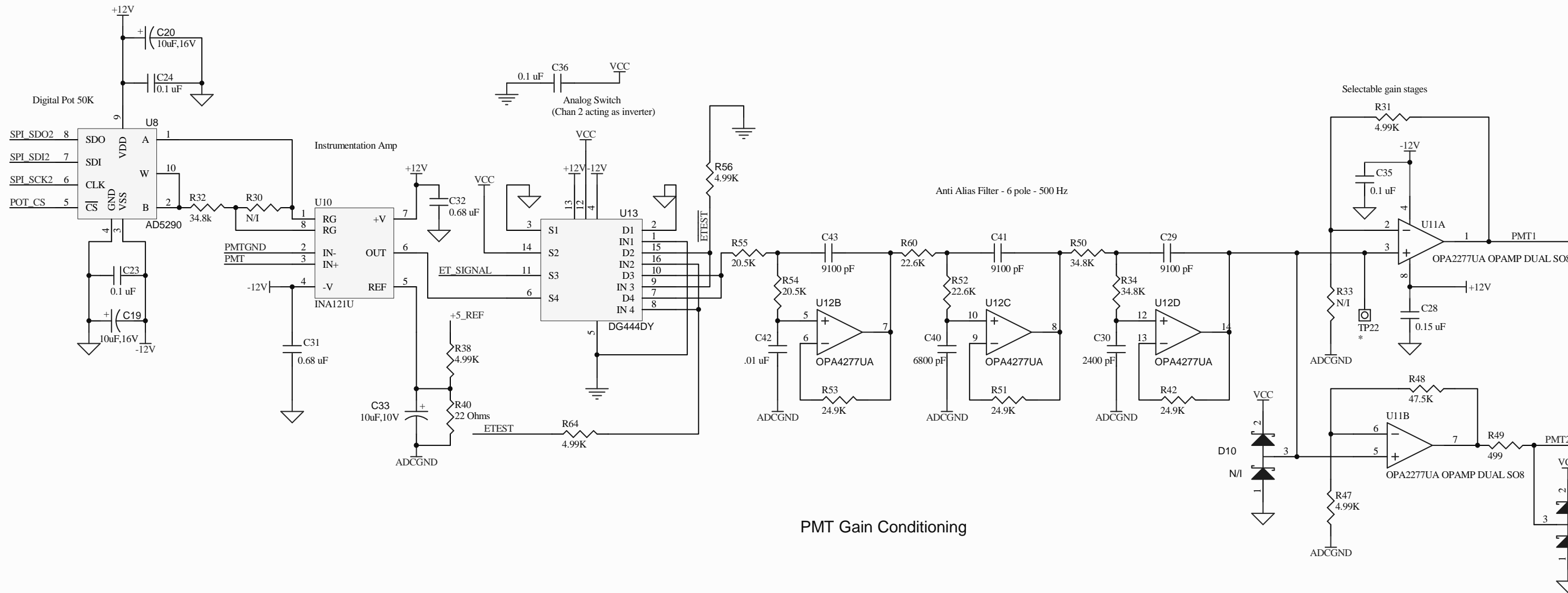
B

C

D



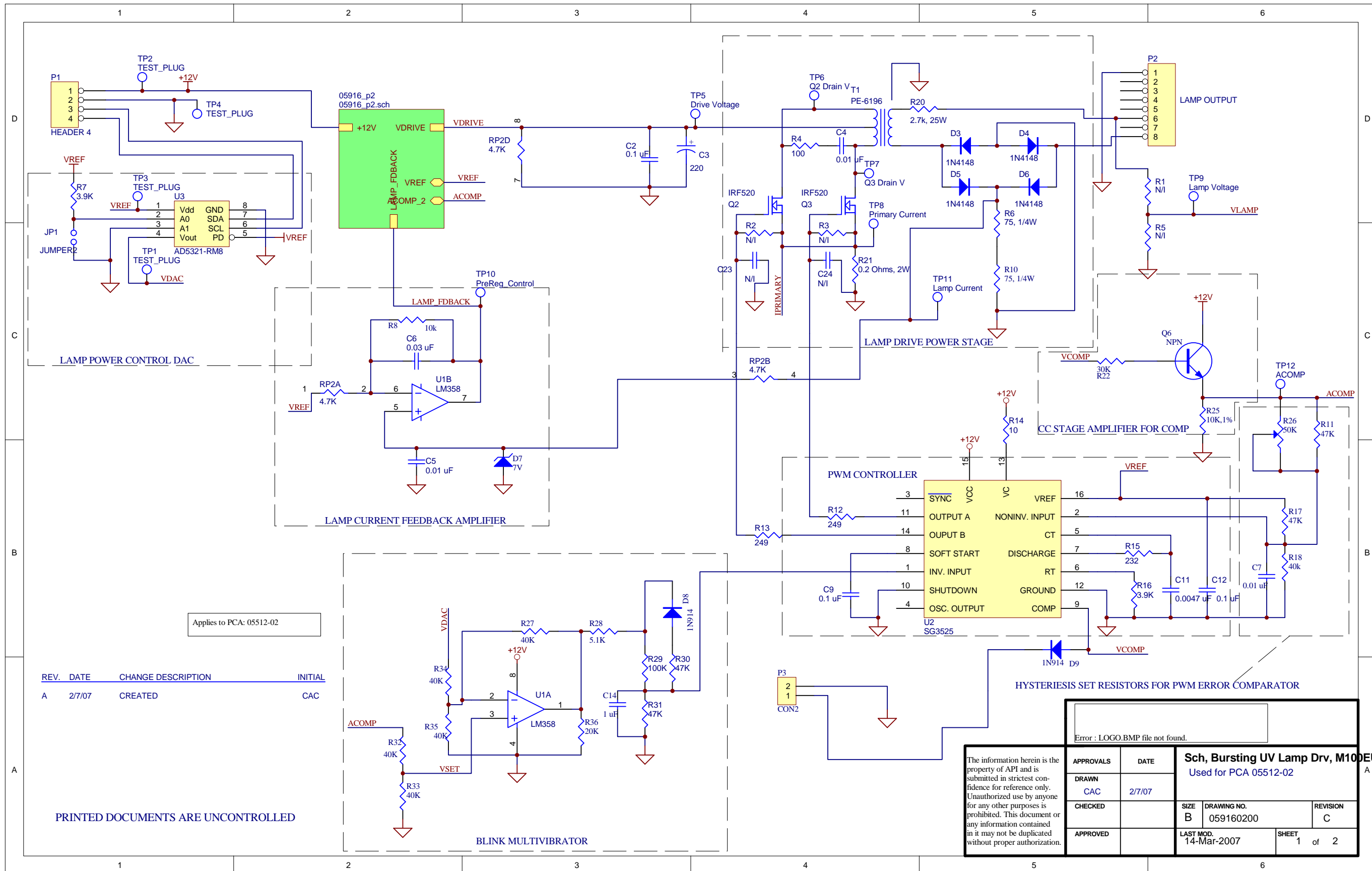
Title M100EU Sync/Demod PCA		
Size B	Number 05466	Revision A
Date: 3/14/2007	Sheet 4 of 5	Drawn By:
File: N:\PCBMGR\...\05466p4_a.schdoc		



PMT Gain Conditioning

- NOTES: UNLESS OTHERWISE SPECIFIED
1. CAPACITANCE IS IN MICROFARADS.
 2. RESISTORS ARE 1%, 1/4W.
 3. RESISTANCE IS IN OHMS.
 4. THIS CIRCUIT MUST BE USED AS A MATCHED PAIR WITH THE TEC CONTROL CIRCUIT

Title		
M100EU Sync/Demod PCA		
Size	Number	Revision
B	05466	A
Date:	3/14/2007	Sheet of 5 5
File:	N:\PCBMGR\...\05466p5_a.schdoc	Drawn By:



Applies to PCA: 05512-02

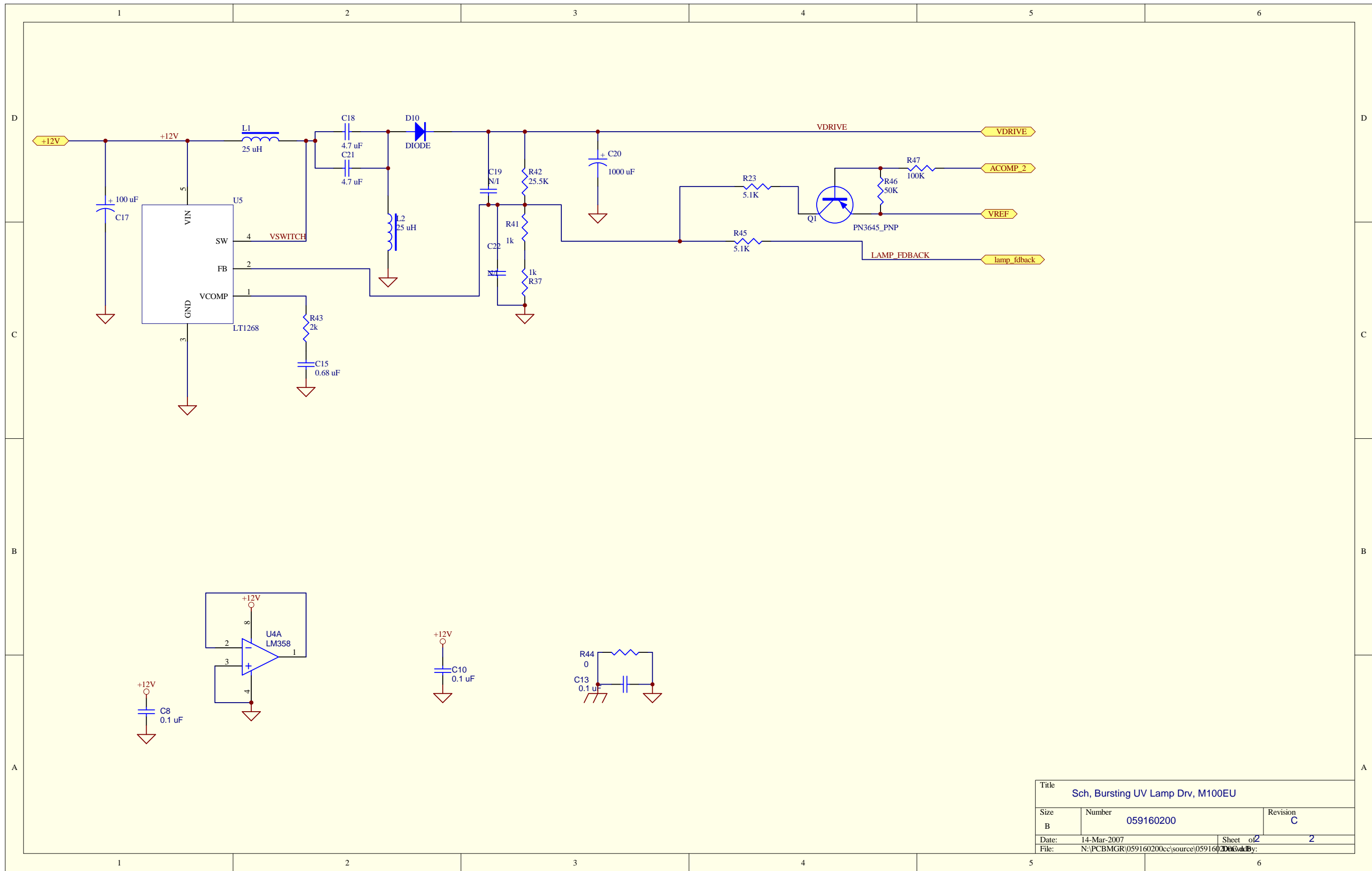
REV.	DATE	CHANGE DESCRIPTION	INITIAL
A	2/7/07	CREATED	CAC

PRINTED DOCUMENTS ARE UNCONTROLLED

Error: LOGO.BMP file not found.

Sch, Bursting UV Lamp Drv, M10
Used for PCA 05512-02

APPROVALS	DATE	SIZE	DRAWING NO.	REVISION
DRAWN CAC	2/7/07	B	059160200	C
CHECKED		LAST MOD.	14-Mar-2007	SHEET 1 of 2
APPROVED				



Title		
Sch, Bursting UV Lamp Drv, M100EU		
Size	Number	Revision
B	059160200	C
Date:	14-Mar-2007	Sheet of 2
File:	N:\PCBMGR\059160200\source\059160200.dwg	

THIS PAGE IS INTENTIONALLY LEFT BLANK