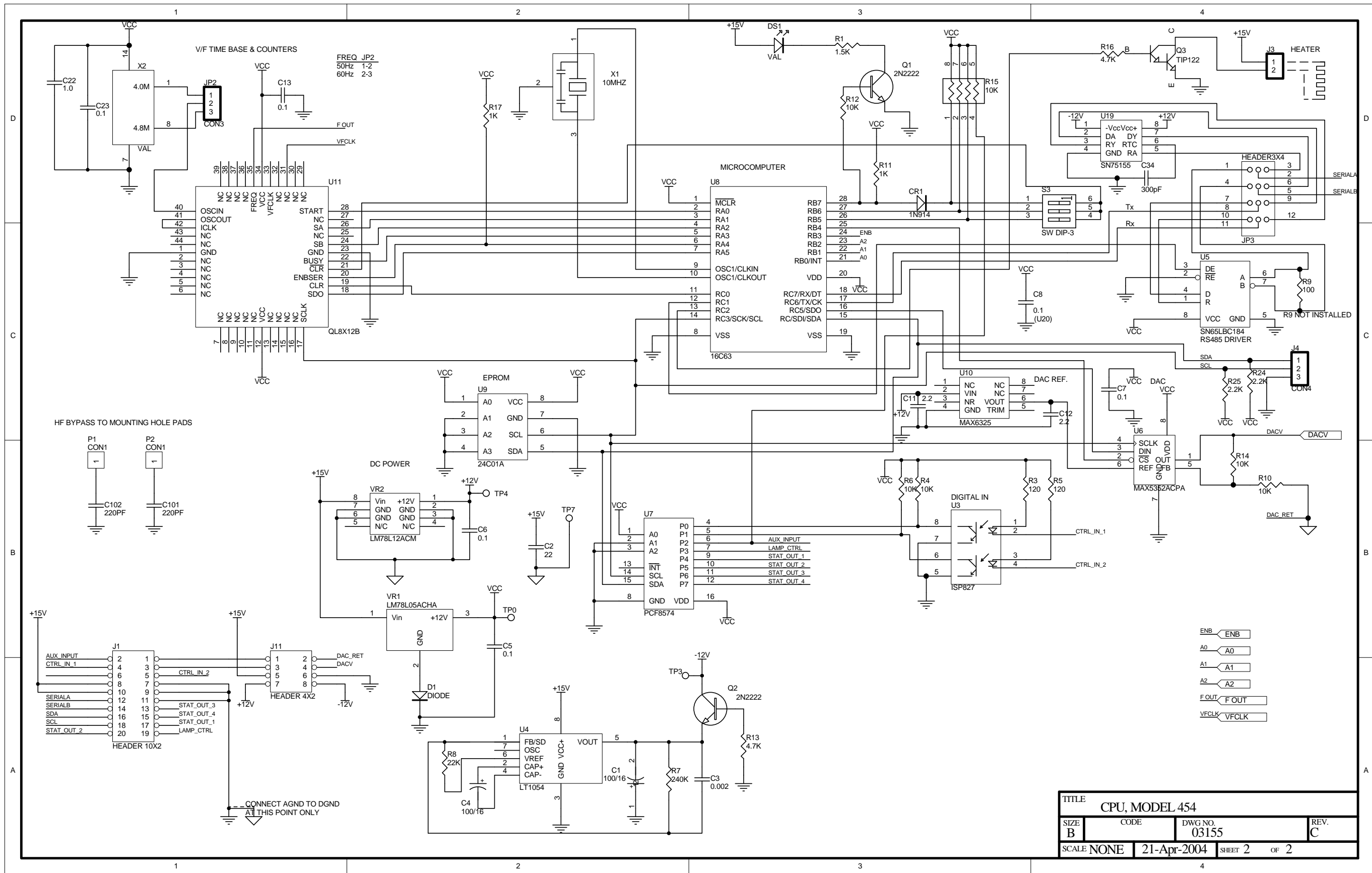
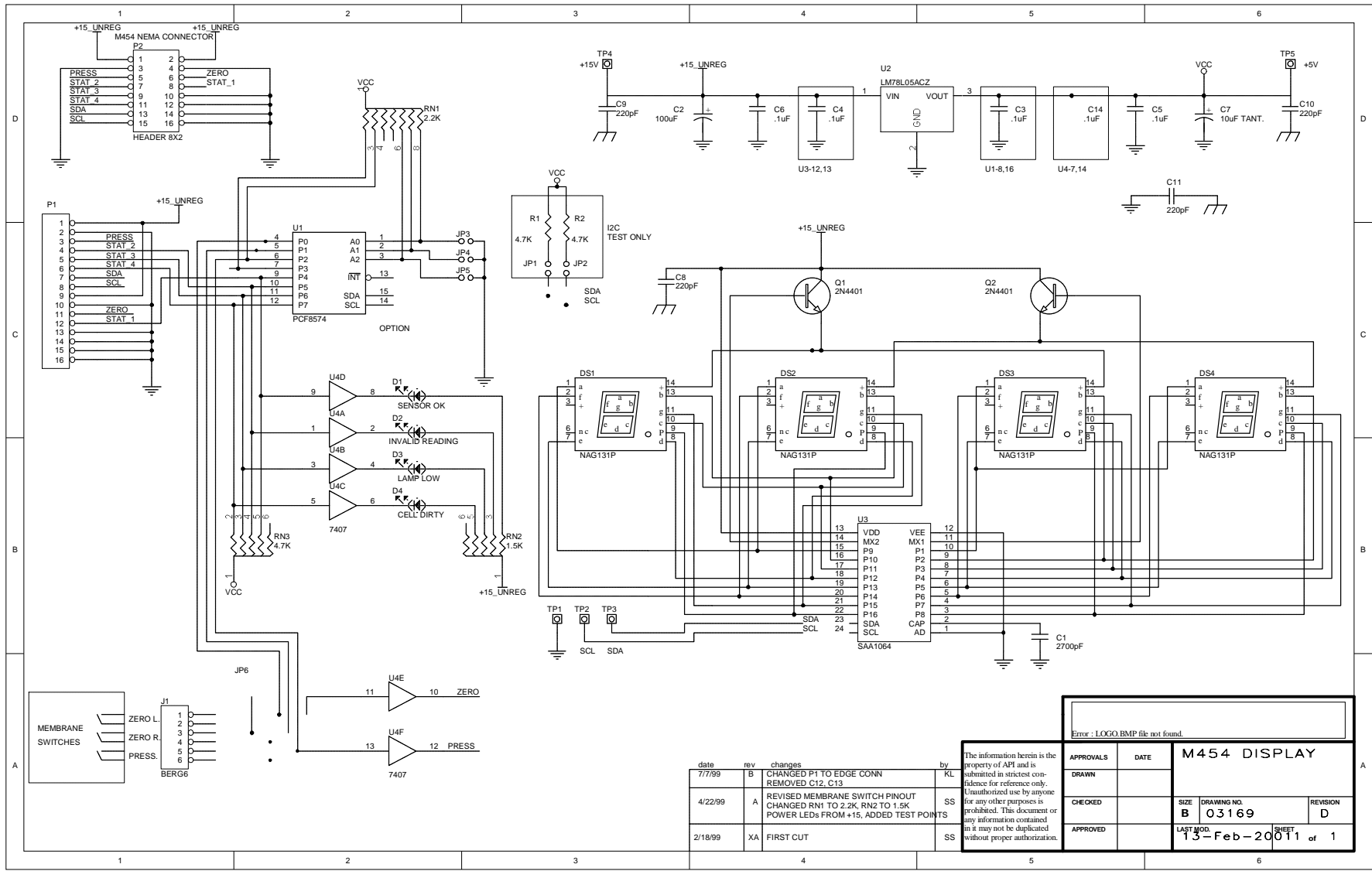


- ENB ENB
- A0 A0
- A1 A1
- A2 A2
- FOUT FOUT
- VFCLK VFCLK

TITLE			
CPU, MODEL 454			
SIZE	CODE	DWG NO.	REV.
A		03155	C
SCALE	NONE	21-Apr-2004	SHEET 1 OF 2



TITLE			
CPU, MODEL 454			
SIZE	CODE	DWG NO.	REV.
B		03155	C
SCALE NONE	21-Apr-2004	SHEET 2	OF 2



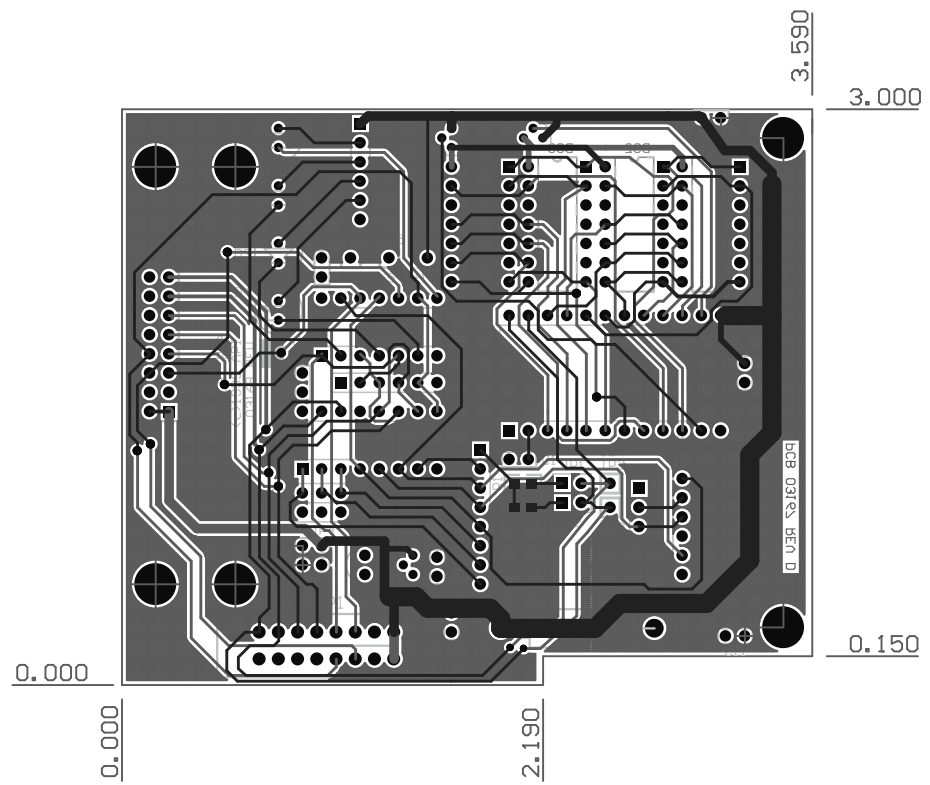
Error : LOGO.BMP file not found.

M454 DISPLAY

The information herein is the property of API and is submitted in strictest confidence for reference only. Unauthorized use by anyone for any other purposes is prohibited. This document or any information contained in it may not be duplicated without proper authorization.

APPROVALS	DATE	M454 DISPLAY	
DRAWN		SIZE	REVISION
CHECKED		B	D
APPROVED		DRAWING NO.	
		03169	
		LAST MOD.	SHEET
		13-Feb-20	011 of 1

date	rev	changes	by
7/7/99	B	CHANGED P1 TO EDGE CONN REMOVED C12, C13	KL
4/22/99	A	REVISED MEMBRANE SWITCH PINOUT CHANGED RN1 TO 2.2K, RN2 TO 1.5K POWER LEDs FROM +15, ADDED TEST POINTS	SS
2/18/99	XA	FIRST CUT	SS



Constructions

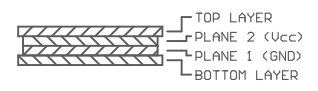
FOUR LAYER PCB

Material: FR-4 copper clad glass epoxy or equiv.
2 OZ copper .002 thk min., C.T.L > 175.

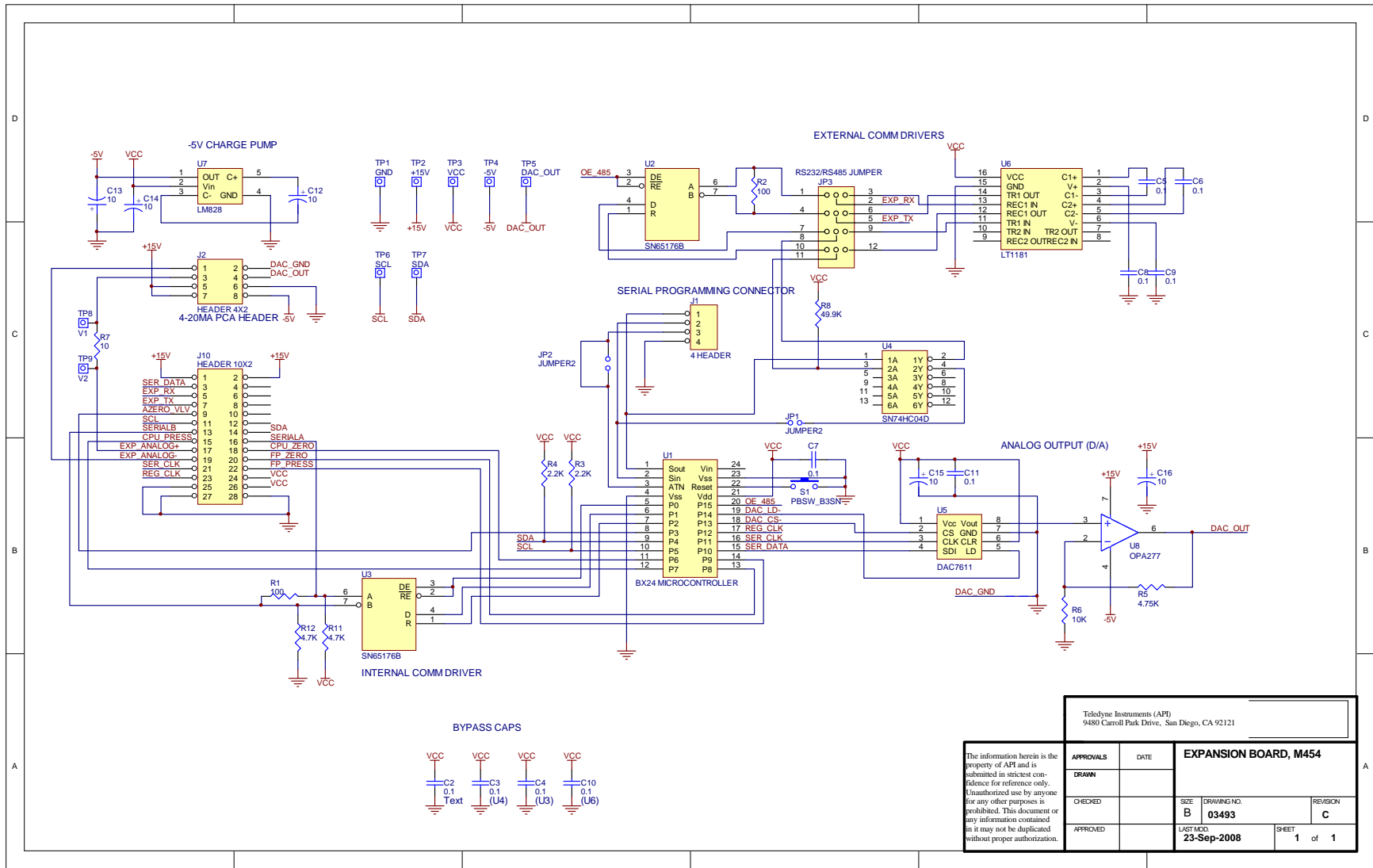
Solder mask over bare copper w/reflow process
or equiv. both sides (LPI GREEN)

Silkscreen, white epoxy ink on component side

All holes plated through, sizes are after plating



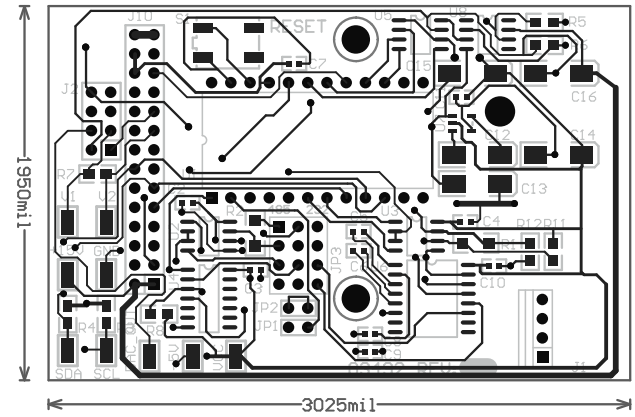
API 6565 Nancy Ridge Dr. San Diego 92121	
drawn JW	M454 DISPLAY PCB
checked	Mechanical Layer 1
approved	PCB# 03167d.pcb
	REVISED 23-Sep-2008



Teledyne Instruments (API)
9480 Carroll Park Drive, San Diego, CA 92121

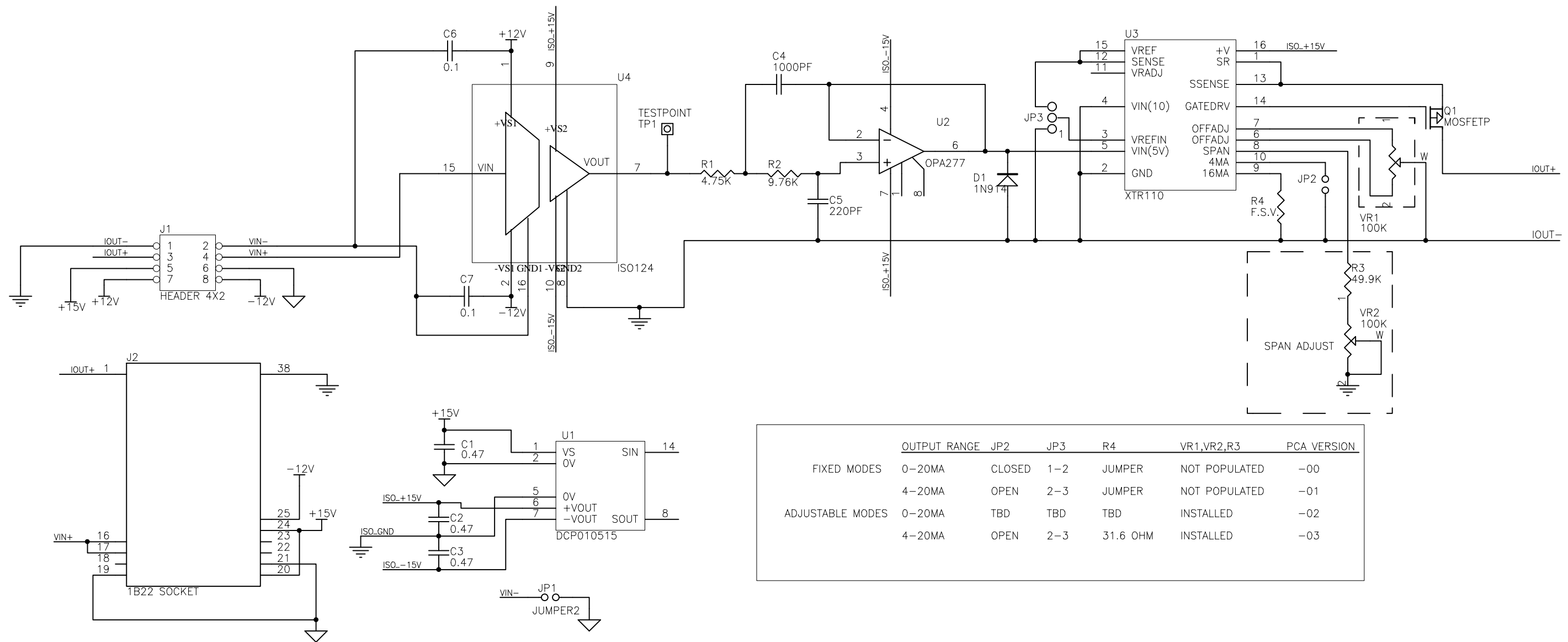
The information herein is the property of API and is submitted in strictest confidence for reference only. Unauthorized use by anyone for any other purposes is prohibited. This document or any information contained in it may not be duplicated without proper authorization.

APPROVALS	DATE	EXPANSION BOARD, M454	
DRAWN		SIZE	REVISION
CHECKED		B 03493	C
APPROVED		LAST MOD. 23-Sep-2008	SHEET 1 of 1



Construction:
 2 layers
 0.063 thick
 LPI Green solder mask
 Material: FR-4 copper clad glass epoxy or equiv.
 2 OZ copper .002 thk min.
 Material must have C11 > 175
 Solder mask over bare copper w/reflow process
 or equiv. both sides
 Silkscreen, white epoxy ink on component side only
 All holes plated through, sizes are after plating

API 6565 Nancy Ridge Dr. San Diego 92121	
drawn KL 1/28/99	TEMP SENSOR PCB
checked	Mechanical Layer 1
approved	PCB# 03491C.PCB
	REVISED 23-Sep-2008



	OUTPUT RANGE	JP2	JP3	R4	VR1,VR2,R3	PCA VERSION
FIXED MODES	0-20MA	CLOSED	1-2	JUMPER	NOT POPULATED	-00
	4-20MA	OPEN	2-3	JUMPER	NOT POPULATED	-01
ADJUSTABLE MODES	0-20MA	TBD	TBD	TBD	INSTALLED	-02
	4-20MA	OPEN	2-3	31.6 OHM	INSTALLED	-03

Date	Rev.	Change Description	Engineer
8/9/99	B	ADDED -12V NET TO J2, PIN 25	KL
9/24/99	C	ADDED R4, CLARIFIED 4-20 ADJ MODE	KL
2/18/00	D	CORRECTED CONFIG INFO FOR -03 VERSION	KL

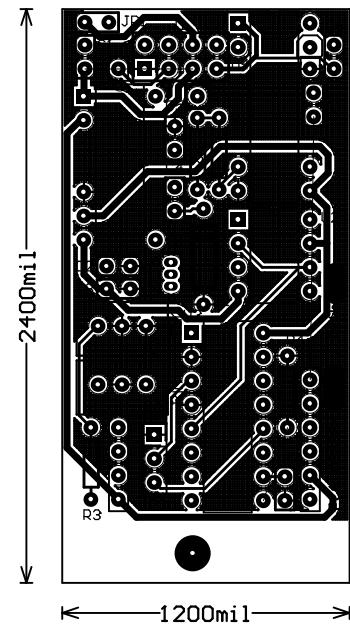
The information herein is the property of API and is submitted in strictest confidence for reference only. Unauthorized use by anyone for any other purposes is prohibited. This document or any information contained in it may not be duplicated without proper authorization.

Error : \\DOC\SYS\eng\sch_tpl\LOGO.BMP File Not Supported

APPROVALS	DATE	Isolated 0-20ma Driver (Was 0303)	
DRAWN			
CHECKED		SIZE B	DRAWING NO. 03897
APPROVED		REVISION A	LAST MOD. 11-Apr-2001
		SHEET 1	of 1

D
C
B
A

D
C
B
A



Construction:

2 layers

0.063 thick

LPI Green solder mask

Material: FR-4 copper clad glass epoxy or equiv.

2 OZ copper .002 thick min.

Material must have CTI > 175

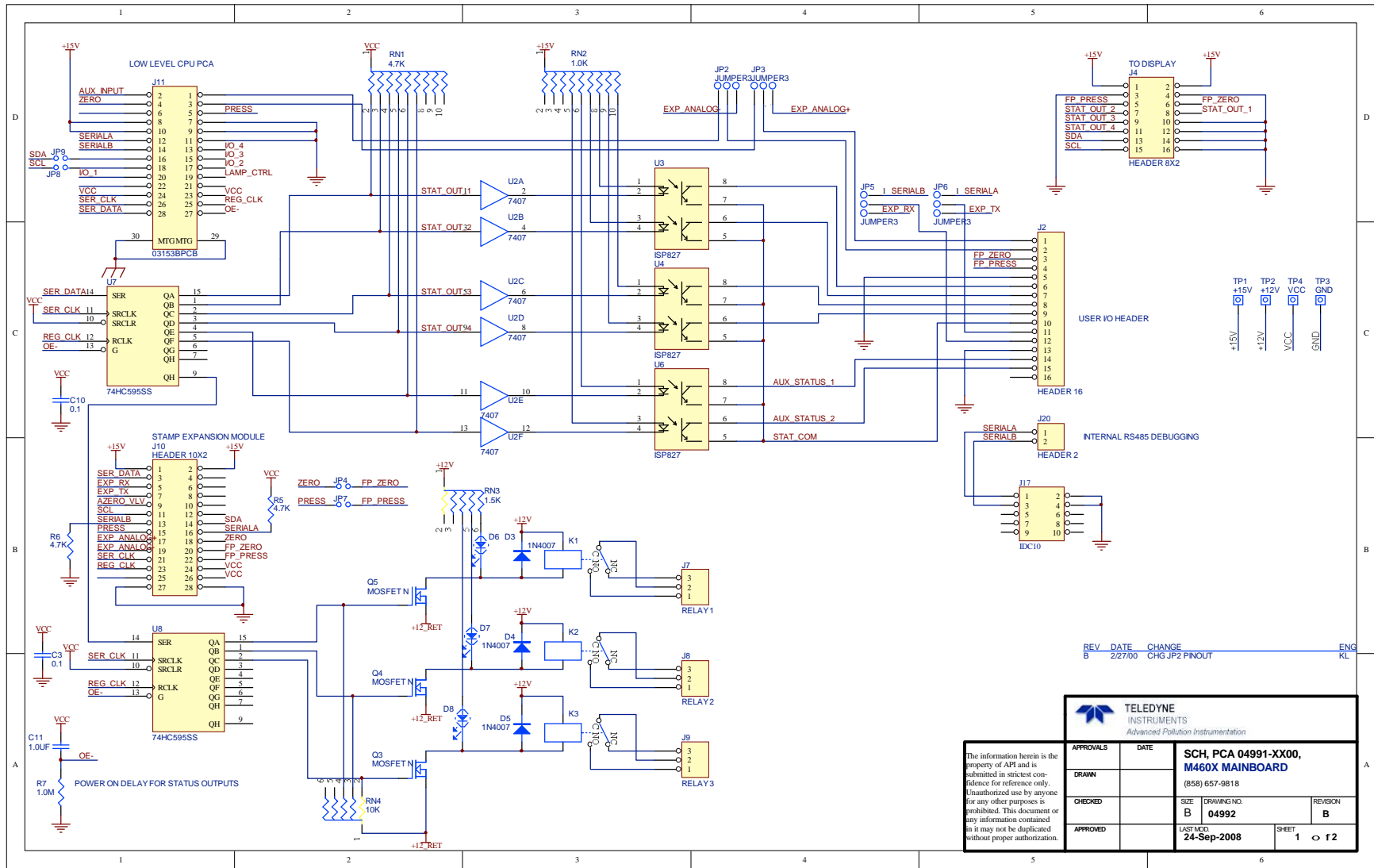
Solder mask over bare copper w/reflow process or equiv. both sides

Silkscreen, white epoxy ink on component side only

All holes plated through, sizes are after plating

Use top solder mask for both sides of PCB

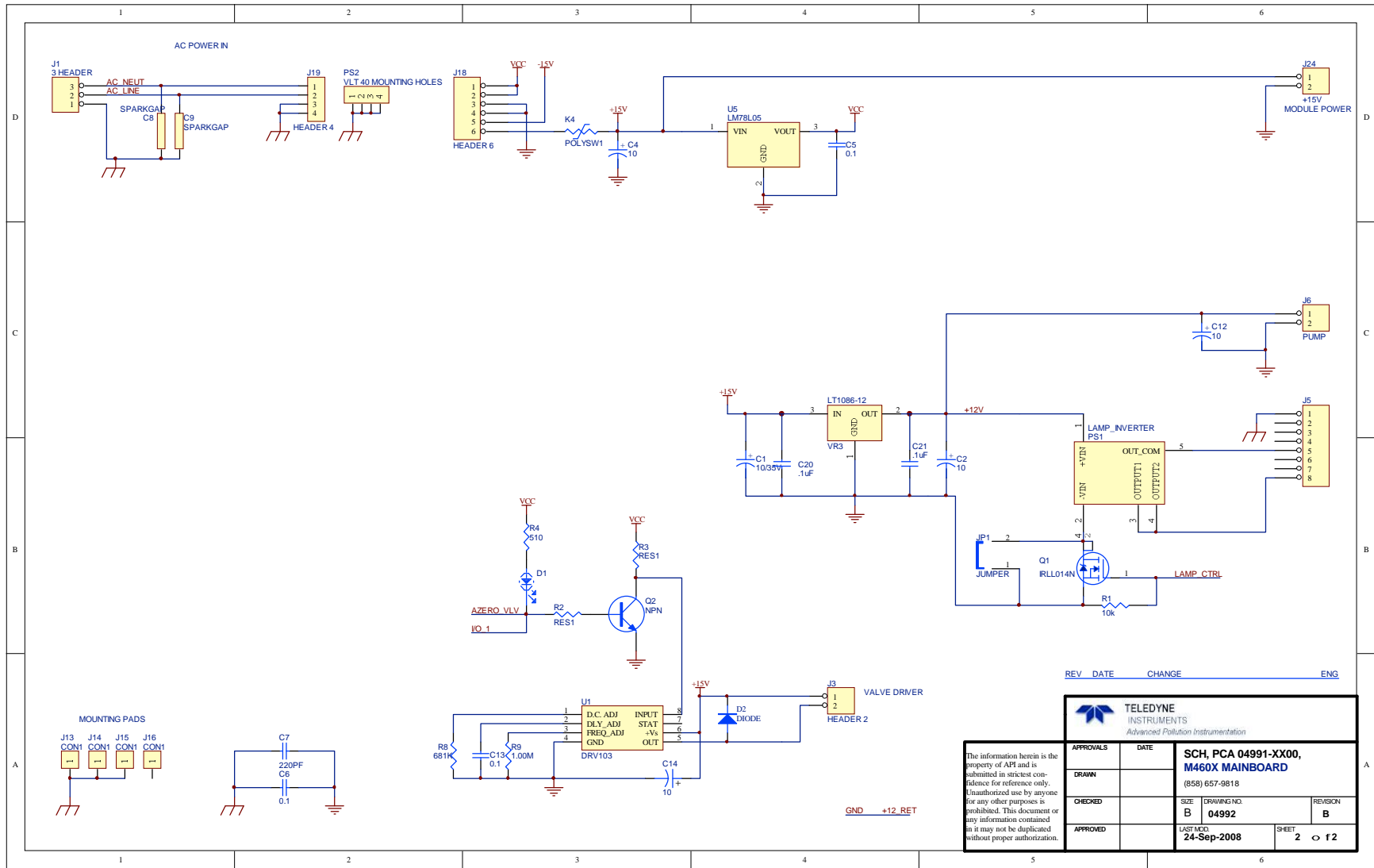
API 8815 Production Ave. San Diego 92121	
drawn KL 1/5/99	0-20MA DRIVER
checked	Mechanical Layer 1
approved	PCB# 03897A.PCB
	REVISED 11-Apr-2001



REV DATE CHANGE ENG KL
 B 2/27/00 CHG JP2 PINOUT

 TELEDYNE INSTRUMENTS Advanced Pollution Instrumentation		SCH, PCA 04991-XX00, M460X MAINBOARD (858) 657-9818	
		SIZE: B DRAWING NO.: 04992	REVISION: B
APPROVED:	LAST MOD: 24-Sep-2008	SHEET: 1	OF: f2

The information herein is the property of API and is submitted in strictest confidence for reference only. Unauthorized use by anyone for any other purposes is prohibited. This document or any information contained in it may not be duplicated without proper authorization.



REV. DATE CHANGE ENG

 Advanced Pollution Instrumentation		SCH, PCA 04991-XX00, M460X MAINBOARD	
		(858) 657-9818	
APPROVALS DRAWN CHECKED APPROVED	DATE SIZE LAST MOD.	DRAWING NO. 04992	REVISION B
		24-Sep-2008	SHEET 2 of f2

The information herein is the property of API and is submitted in strictest confidence for reference only. Unauthorized use by anyone for any other purposes is prohibited. This document or any information contained in it may not be duplicated without proper authorization.