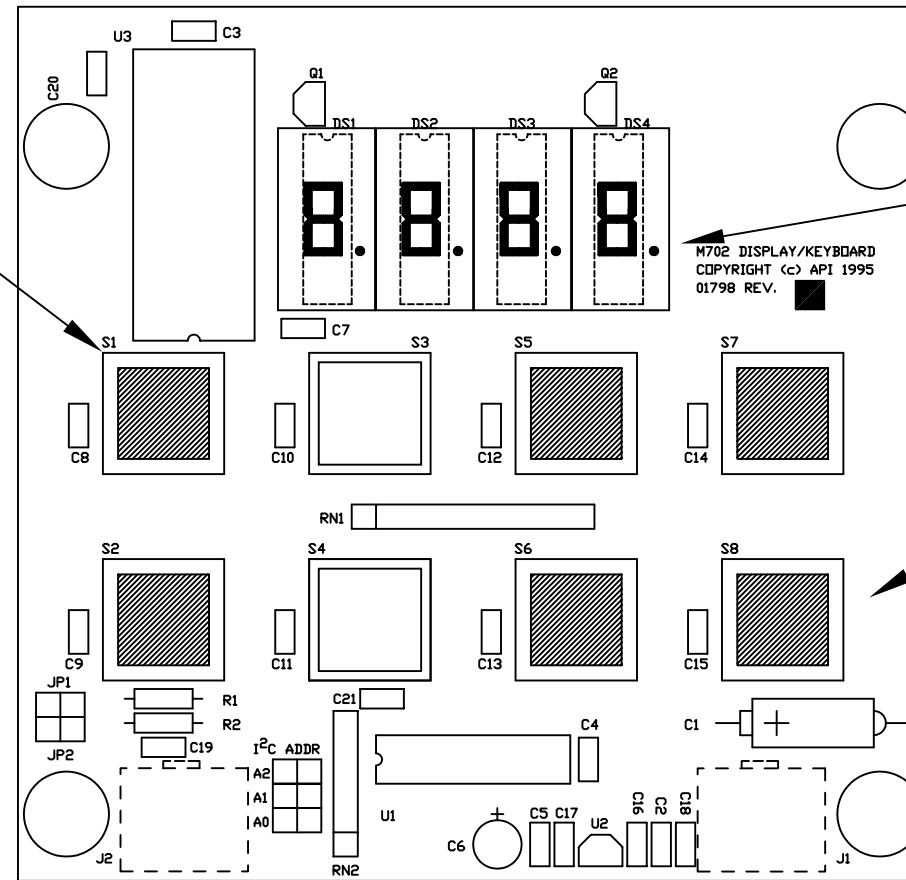


Table A-2: Model 702 Electrical Schematics

Part No.	Name
01798	Assembly, keyboard/display PCA
01799	Diagram, keyboard/display PCA
02280	Assembly, Rear Panel
02281	Diagram, Rear Panel
0290100	M702 Standard Version-Interconnect Drawing
0290101	M702 03 Option Version-Interconnect Drawing

THIS PAGE IS INTENTIONALLY LEFT BLANK

PIN 1: UPPER LEFT
HAND CORNER FOR
ALL SWITCHES
S1-S8



DECIMAL POINT DOWN

4 8PL

NOTES:

- 1 NON-ILLUMINATED SWITCHES: S3, S4 (PIN 1: UPPER LEFT HAND CORNER)
- 2 ILLUMINATED SWITCHES: S1, S2, S5, S6, S7, S8 (PIN 1: UPPER LEFT HAND CORNER)
- 3 J1, J2 ARE INSTALLED ON THE SOLDER SIDE
- 4 SWITCHES S1-S8 MUST BE SOLDERED ON AFTER MACHINE CLEANING, USING A ROSIN BASED FLUX AND REMOVED BY AN ALCOHOL BASED SOLVENT.

8/22/01
8.23.00

C: ADDED NOTE 4.
B: CLARIFY LOCATION OF PIN 1

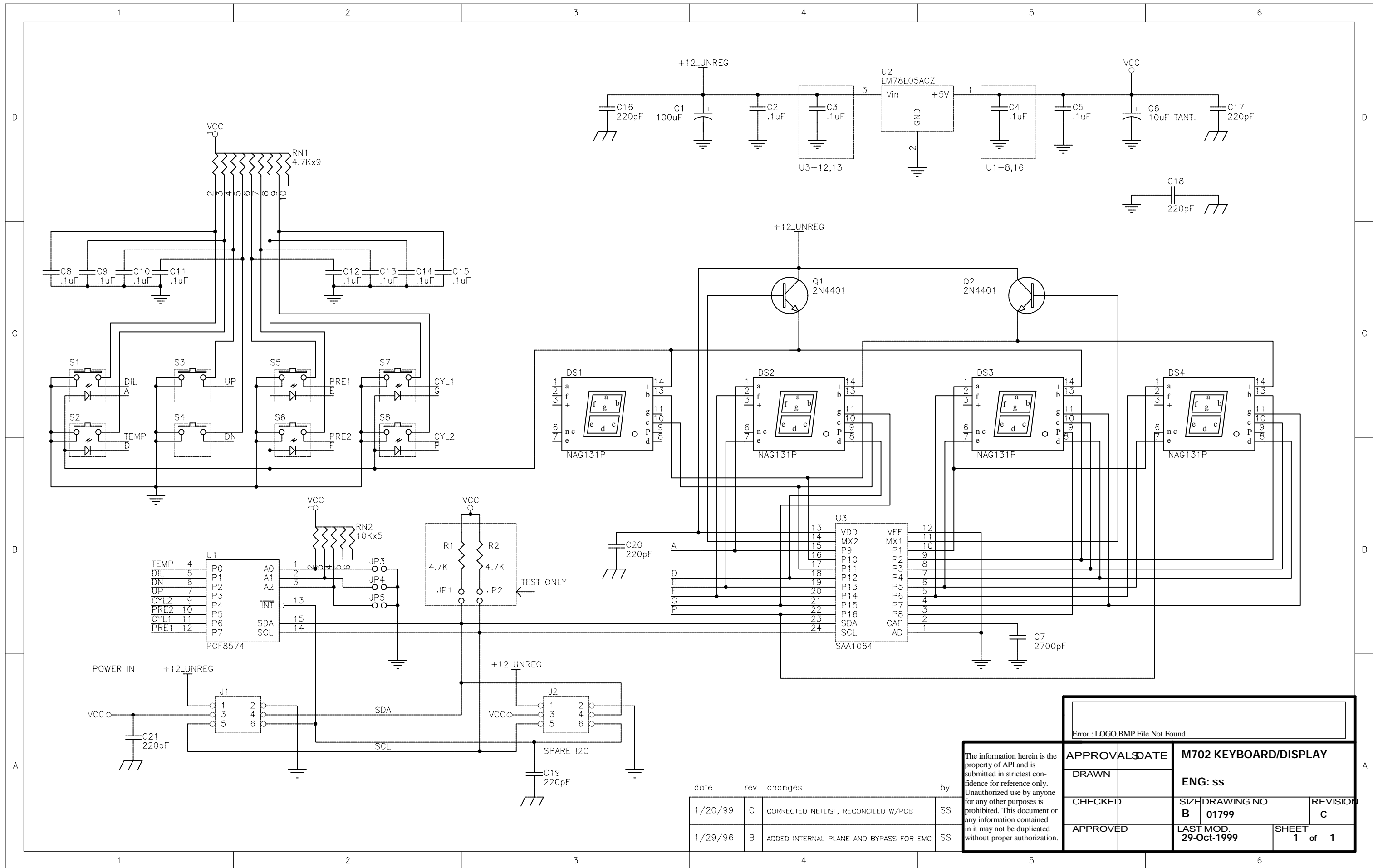
KV
RH

4.18.97		A: INITIAL RELEASE	RH
DATE	ECR#	DESCRIPTION OF CHANGE	BY

TOLERANCES	
X±	XXX±
XX±	

The information hereon is the property of API and is submitted in strictest confidence for reference only. Unauthorized use by anyone for any other purposes is prohibited. This document or any information contained in it may not be duplicated without proper authorization.

API		ADVANCED POLLUTION INSTRUMENTATION INC. SAN DIEGO, CA.	
APPROVALS	DATE	PCA, KEYBOARD/DISPLAY M702	
DRAWN			
CHECKED			
APPROVED			
DO NOT SCALE DRAWING		SIZE A	DRAWING NO. 01798
		SCALE	REVISION C
			SHEET 1 OF 1

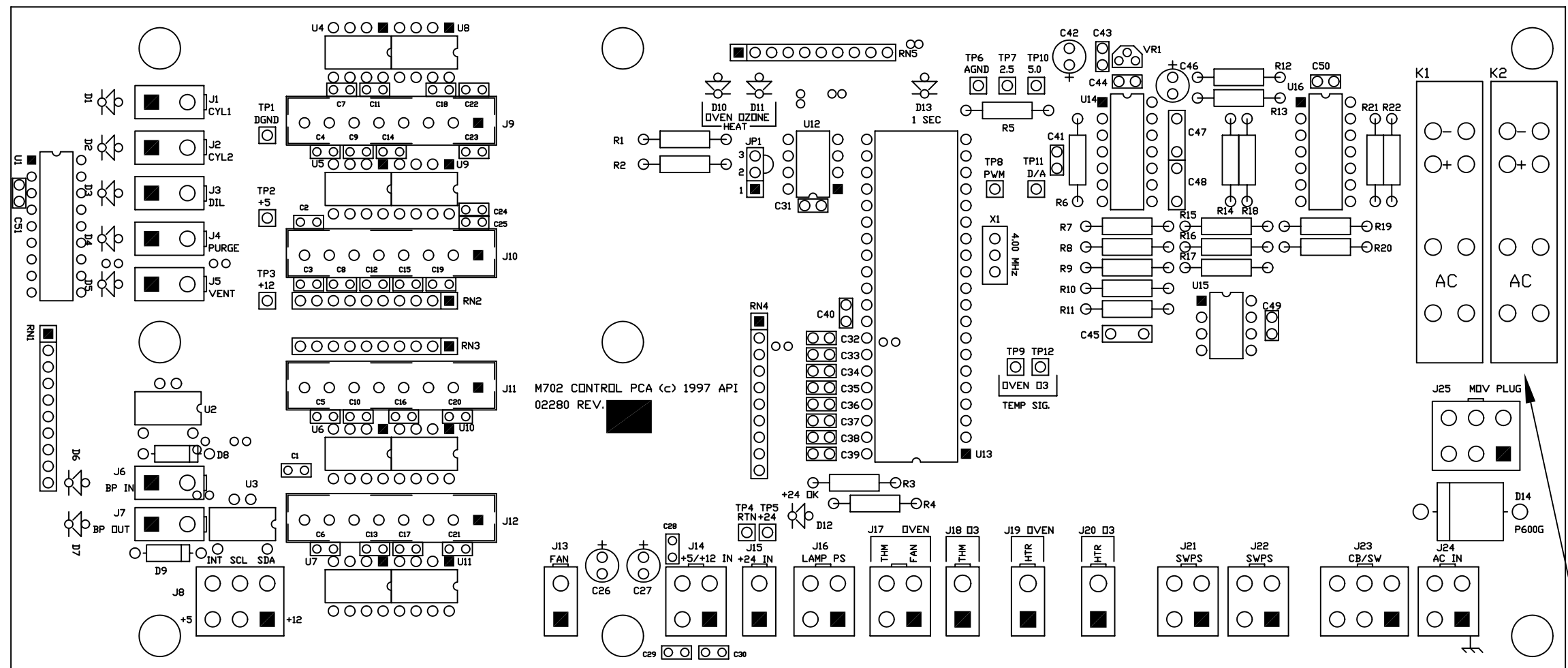


Error : LOGO.BMP File Not Found

APPROVALS		DATE		M702 KEYBOARD/DISPLAY	
DRAWN				ENG: ss	
CHECKED		SIZE	DRAWING NO.	REVISION	
APPROVED		B	01799	C	
LAST MOD.			SHEET		
29-Oct-1999			1 of 1		

The information herein is the property of API and is submitted in strictest confidence for reference only. Unauthorized use by anyone for any other purposes is prohibited. This document or any information contained in it may not be duplicated without proper authorization.

date	rev	changes	by
1/20/99	C	CORRECTED NETLIST, RECONCILED W/PCB	SS
1/29/96	B	ADDED INTERNAL PLANE AND BYPASS FOR EMC	SS



NOTES:


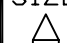
- 1) J9, 10, 11, 12 INSTALLED ON SOLDER SIDE
-  INSTALL K1,K2 AFTER MACHINE WASH

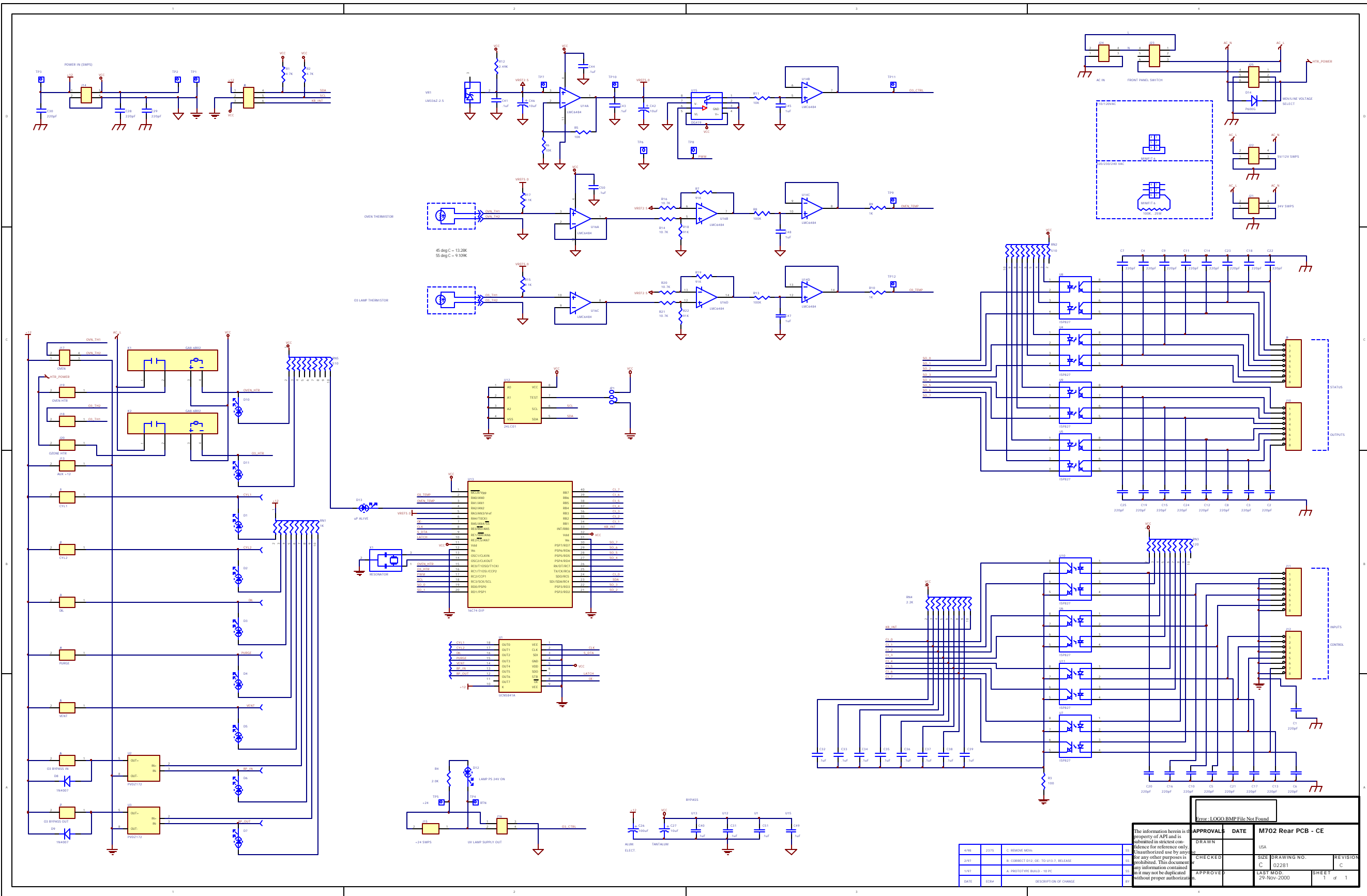
 2PL

10/04/01	1841	C: ADDED NOTE 2	KV
5.9.97		B: DELETED REV A NOTES	RH
4.18.97		A: INITIAL RELEASE	RH
DATE	DCN#	DESCRIPTION OF CHANGE	BY

TOLERANCES
 X± XXX±
 XX±

The information hereon is the property of API and is submitted in strictest confidence for reference only. Unauthorized use by anyone for any other purposes is prohibited. This document or any information contained in it may not be duplicated without proper authorization.

		ADVANCED POLLUTION INSTRUMENTATION INC. SAN DIEGO, CA.	
APPROVALS	DATE	<h1>PCA, REAR PANEL-M702</h1>	
DRAWN			
CHECKED			
APPROVED			
DO NOT SCALE DRAWING		SIZE  DRAWING NO. 02280	REVISION C
		SCALE	SHEET 1 OF 1



REV	DATE	DESCRIPTION OF CHANGE
1	2/21/00	C. WINDOW REVISED
2	2/21/00	Q. CORRECT D12, D16 TO 100V 1/2 RELEASE
3	1/21/00	A. PROTOTYPE BUILD - 10 PC
4	1/21/00	DESCRIPTION OF CHANGE

APPROVAL	DATE	REVISION
DRAWN	USA	
CHECKED		
APPROVE		

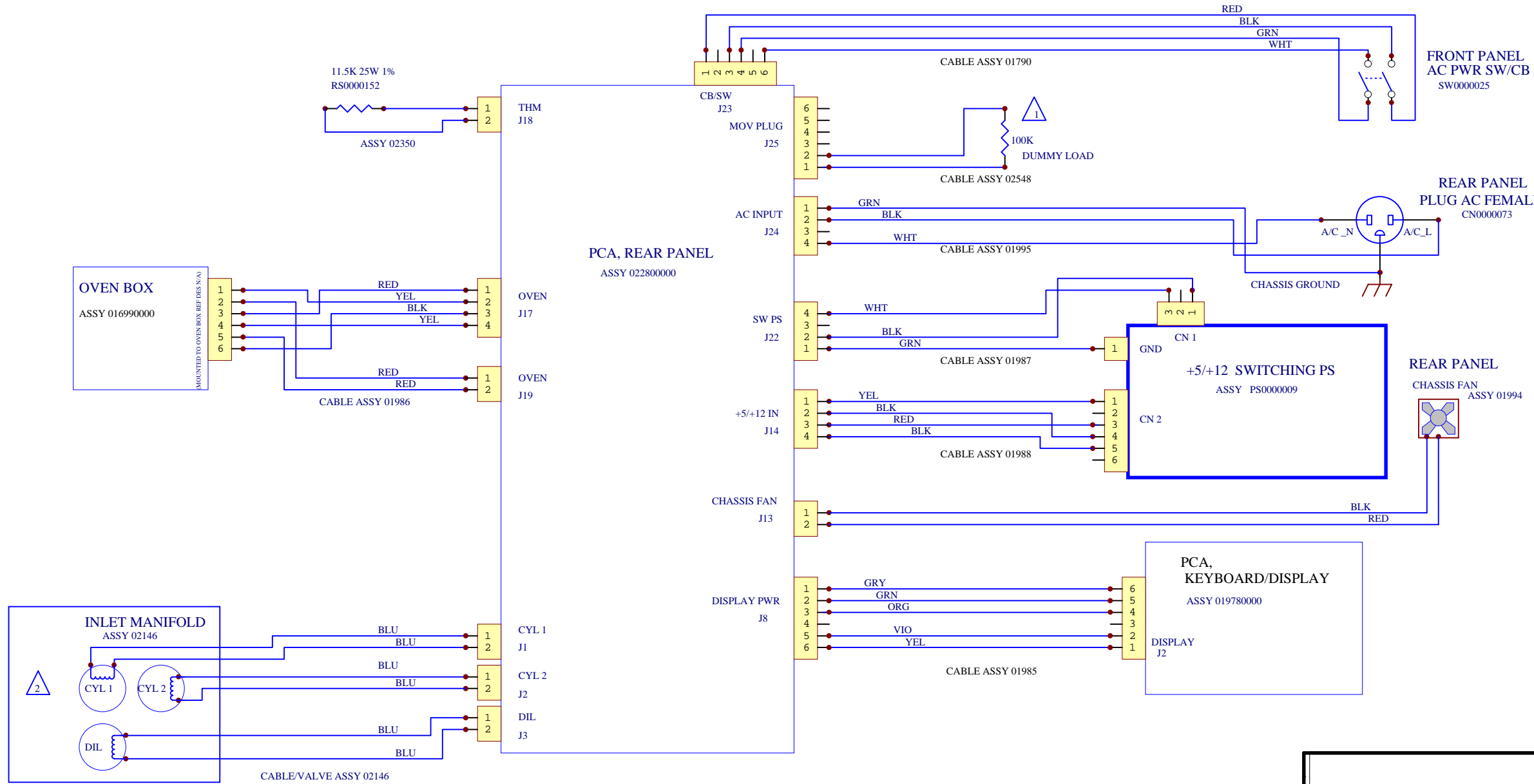
M702 Rear PCB - CE
 SIZE: DRAWING NO. C. 02281
 LAST MOD: 29-Nov-2000
 SHEET: 1 of 1

The information herein is the property of API and is submitted in strictest confidence for reference only. It is not to be used for any other purposes without the express written permission of API. This document contains information that is proprietary to API and its use without proper authorization is prohibited.

M702 STANDARD VERSION

NOTES:

- 1 USE 100K FOR 220-240VAC
USE 22AWG WIRE FOR 110VAC
- 2 CYL 1, CYL 2, AND DIL ARE VALVES, PART NUMBER VA000023



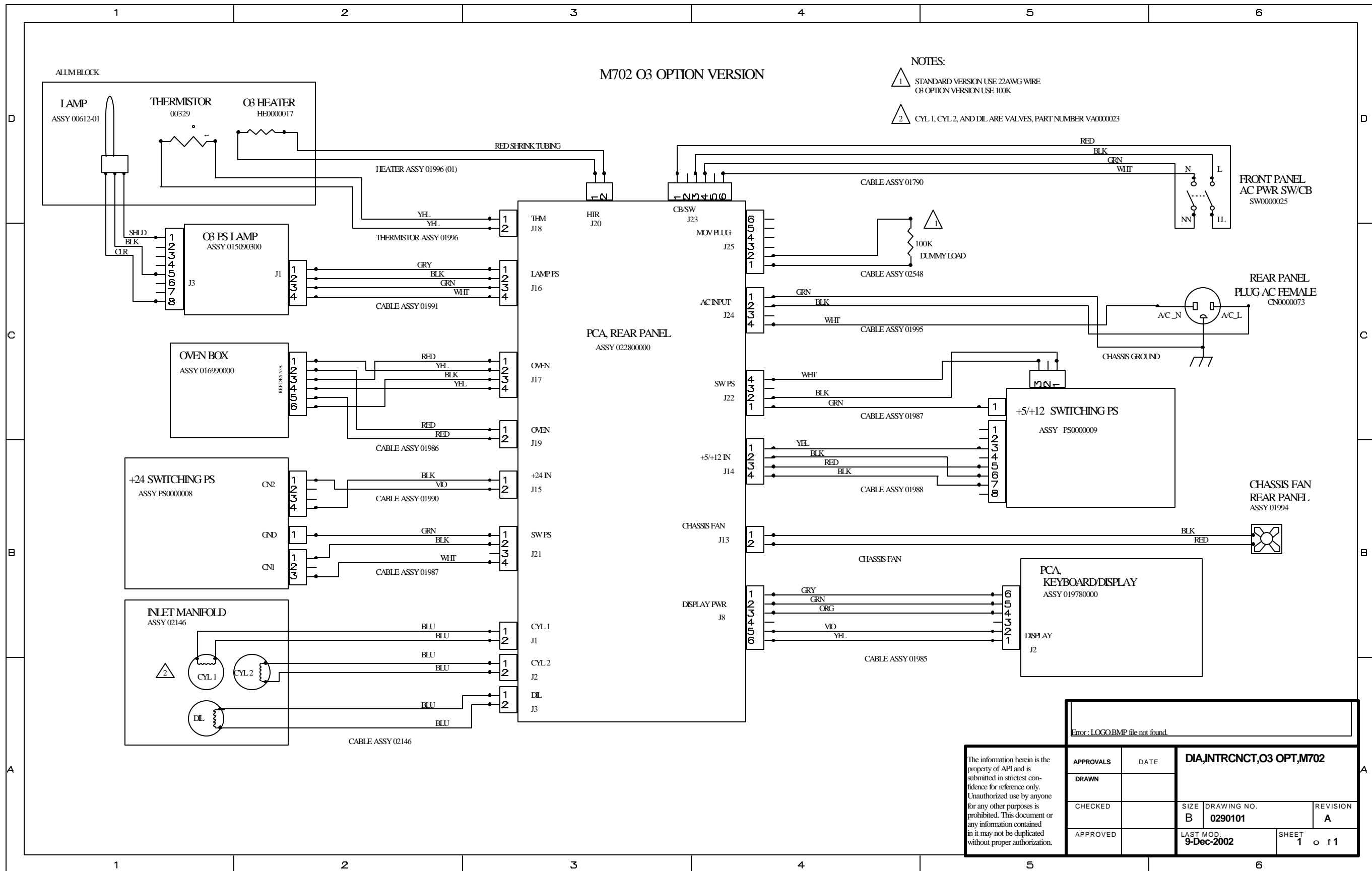
Error : LOGO.BMP File Not Found

APPROVALS		DATE	DIA,INTRCNCT,STD,M702	
DRAWN			SIZE	REVISION
CHECKED			B	A
APPROVED			DRAWING NO. 02901	
LAST MOD. 1-Aug-2001			SHEET 1 of 1	

The information herein is the property of API and is submitted in strictest confidence for reference only. Unauthorized use by anyone for any other purposes is prohibited. This document or any information contained in it may not be duplicated without proper authorization.

M702 O3 OPTION VERSION

- NOTES:
- 1 STANDARD VERSION USE 22AWG WIRE
O3 OPTION VERSION USE 100K
 - 2 CYL 1, CYL 2, AND DIL ARE VALVES, PART NUMBER VA000023



Error: LOGO.BMP file not found.

The information herein is the property of APT and is submitted in strictest confidence for reference only. Unauthorized use by anyone for any other purposes is prohibited. This document or any information contained in it may not be duplicated without proper authorization.	APPROVALS	DATE	DIA,INTRCNCT,O3 OPT,M702	
	DRAWN		SIZE	DRAWING NO.
	CHECKED		B	0290101
	APPROVED		REVISION	A
		LAST MOD.	9-Dec-2002	SHEET 1 of 1