



- Generate an output gas concentration for one of the gasses in the cylinder (see Section 5.2 of the M700 Operators Manual).

or;

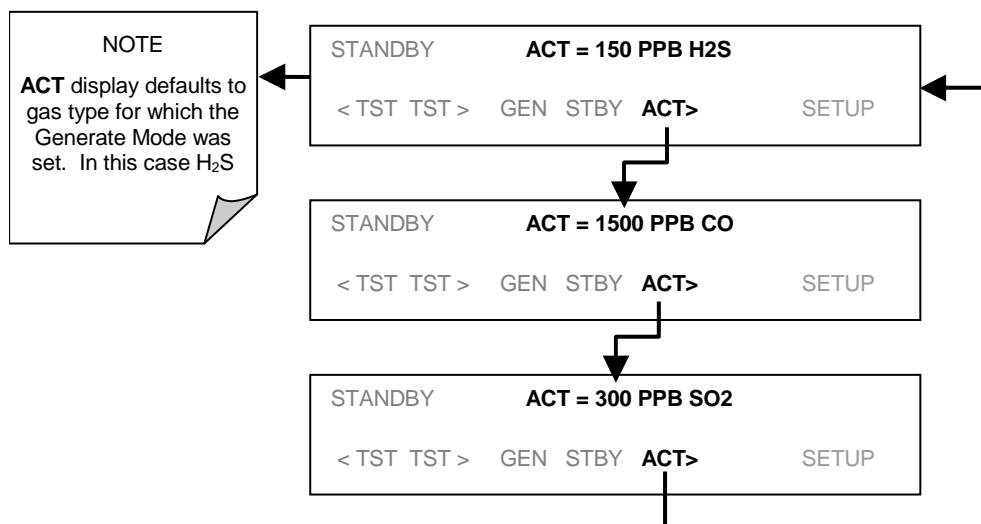
- Program and initiate a multiple step output sequence (see Section 5.3 of the M700 Operators Manual).

EXAMPLE: In the following example the setup was:

Cylinder Mixture: 1) CO = 500 ppm  
2) H<sub>2</sub>S = 50 ppm  
3) SO<sub>2</sub> = 100 ppm

GEN Mode: **AUTO** function  
Generate: 150 ppb H<sub>2</sub>S  
Total Flow = 10.000 LPM

- Once the instrument enters **GENERATE** mode the gas output concentrations can be viewed by pressing:



#### NOTE

Although the ACT> button appears on the display regardless of the test function currently being shown, it only affects the ACT function.

Other test functions (e.g. ACT CAL; ACT DIL; etc.) are not affected.

#### ALSO

The ACT> button will not appear unless the SETUP for the port in use during GENERATE mode includes more than one gas type.